

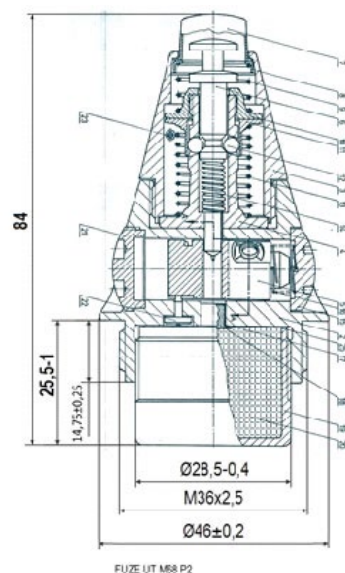
APPLICATION

Fuse UT M68P2 is assigned for the completing of the 81/82 mm mortar shells, instantaneous and percussion.

TECHNICAL SPECIFICATIONS

Length	84 mm
Diameter	46 mm
Thread	M36x2.5
Mortar shell depth	25.5 mm
Fuse mass	168 g
Operating temperature	from -40°C to +50°C
UN Number	0106
ADR Number	1.1B

Fuse has percussion and instant effect. It is safe in the barrel and in the front of barrel mouth at least 8 m. Fuse is dimensioned for the biggest accelerations from 110.000 to 120.000 m/s². The fuse is not air-tight.



PACKING

Standard packing consists of 120 fuses in carton tubes in one wooden box. Dimensions 585 x 345 x 275 mm.

STORAGE

Fuses are wound up on mortar shells that are packed in their original package and they must be stored in appropriate ammunition warehouses.

